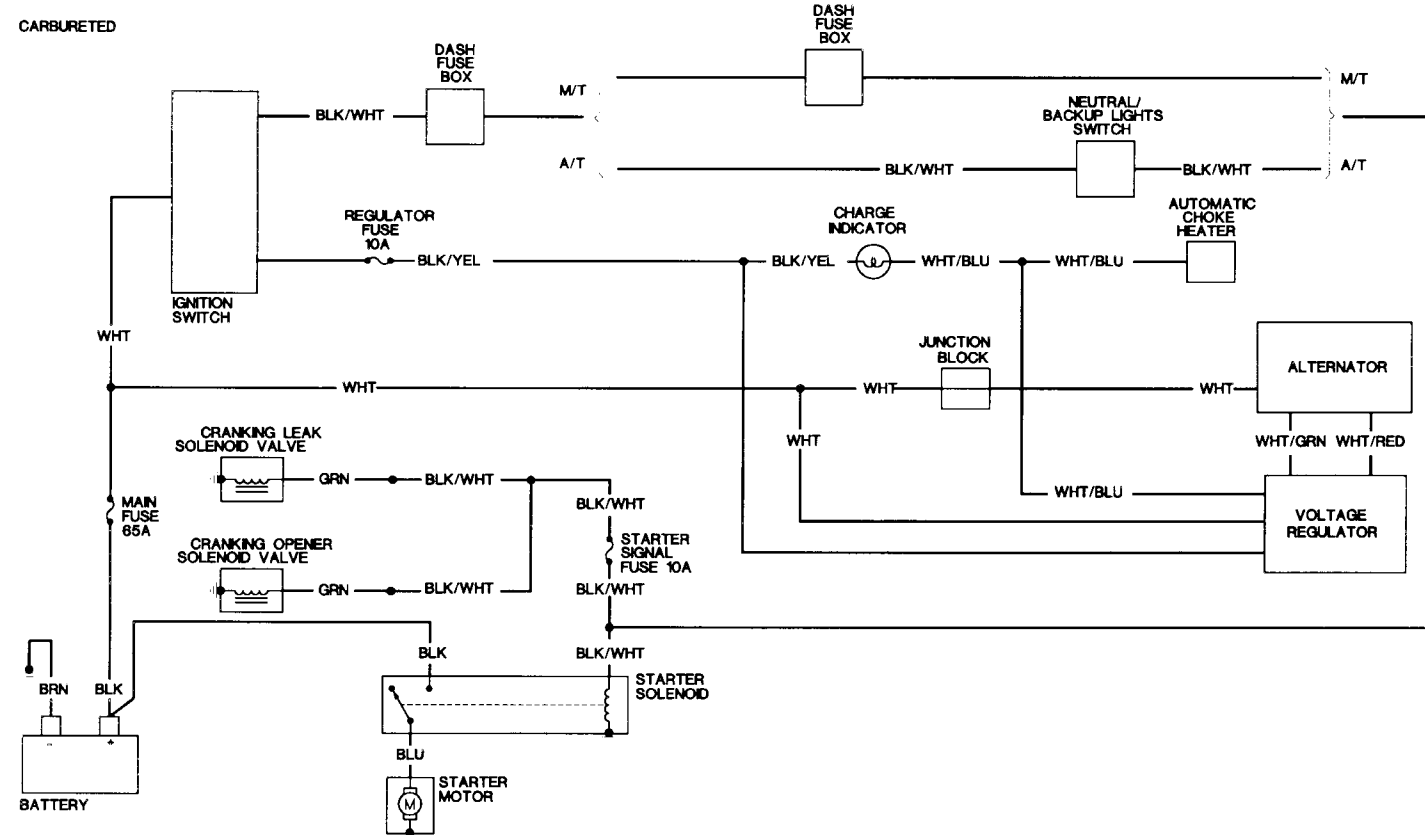


CARBURETED



EFI

